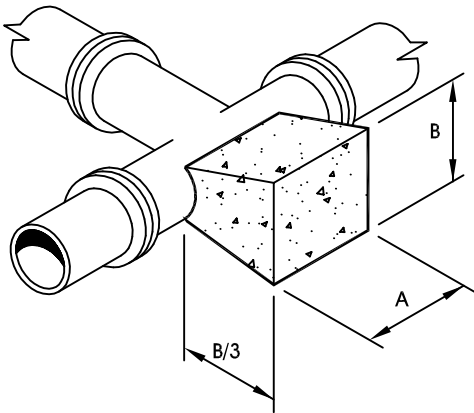
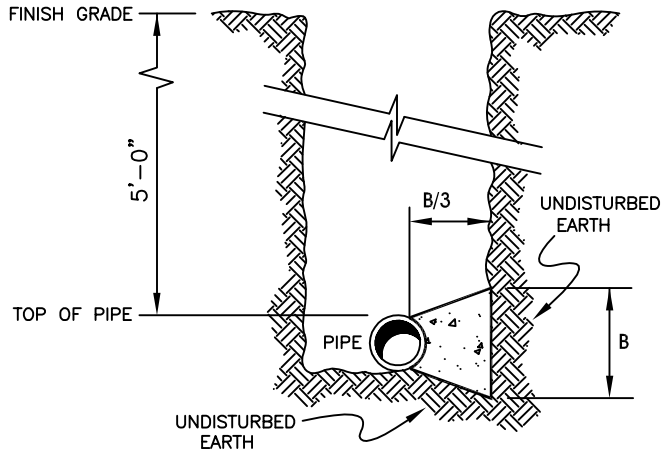


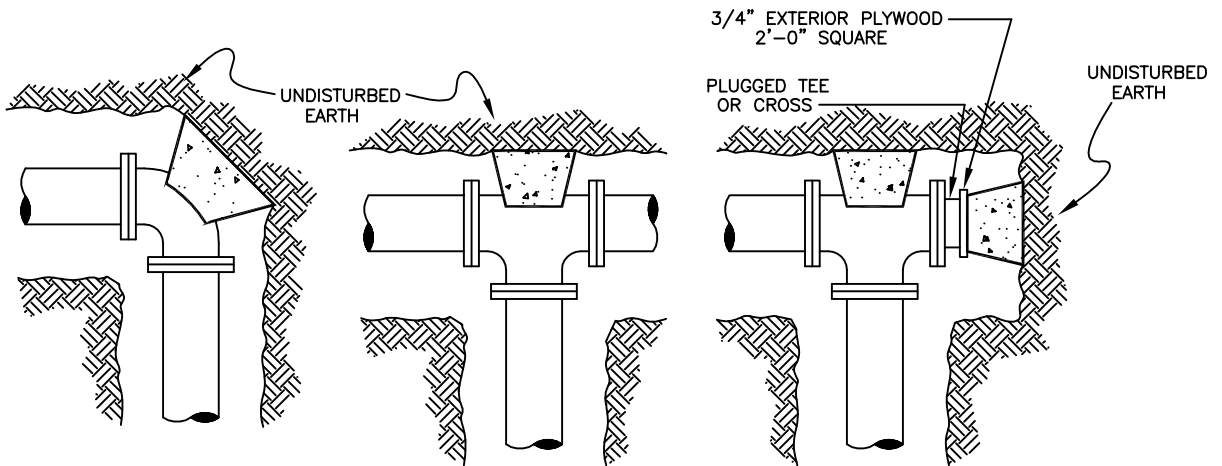
1. ALL THRUST BLOCKING MUST BE INSPECTED BY THE CITY PRIOR TO BACKFILLING THE TRENCH.
2. ALL CONCRETE SHALL BE 4,000 P.S.I. 28-DAY STRENGTH.
3. ALL THRUST BLOCKS SHALL BE FORMED.



**BLOCK DIMENSIONS**  
ISOMETRIC VIEW



**VERTICAL SECTION**



**BEND PLAN**

**TEE & HOT  
TAP PLAN**

**CAPPED  
TEE PLAN**

THRUST BLOCKING DIMENSIONS								
FITTING SIZES	TEES & PLUGS		90° BENDS		45° BENDS & "Y"s		22-1/2° BENDS	
	A	B	A	B	A	B	A	B
6"	2'-0"	0'-9"	2'-0"	1'-0"	1'-3"	0'-9"	1'-0"	0'-9"
8"	2'-0"	1'-0"	2'-0"	1'-3"	1'-6"	1'-0"	1'-0"	1'-0"
10"	2'-6"	1'-3"	2'-9"	1'-6"	1'-9"	1'-3"	1'-3"	1'-0"
12"	2'-3"	1'-9"	3'-3"	1'-9"	2'-0"	1'-6"	1'-6"	1'-3"
16"	3'-6"	2'-0"	4'-3"	2'-3"	3'-0"	1'-9"	1'-9"	1'-6"