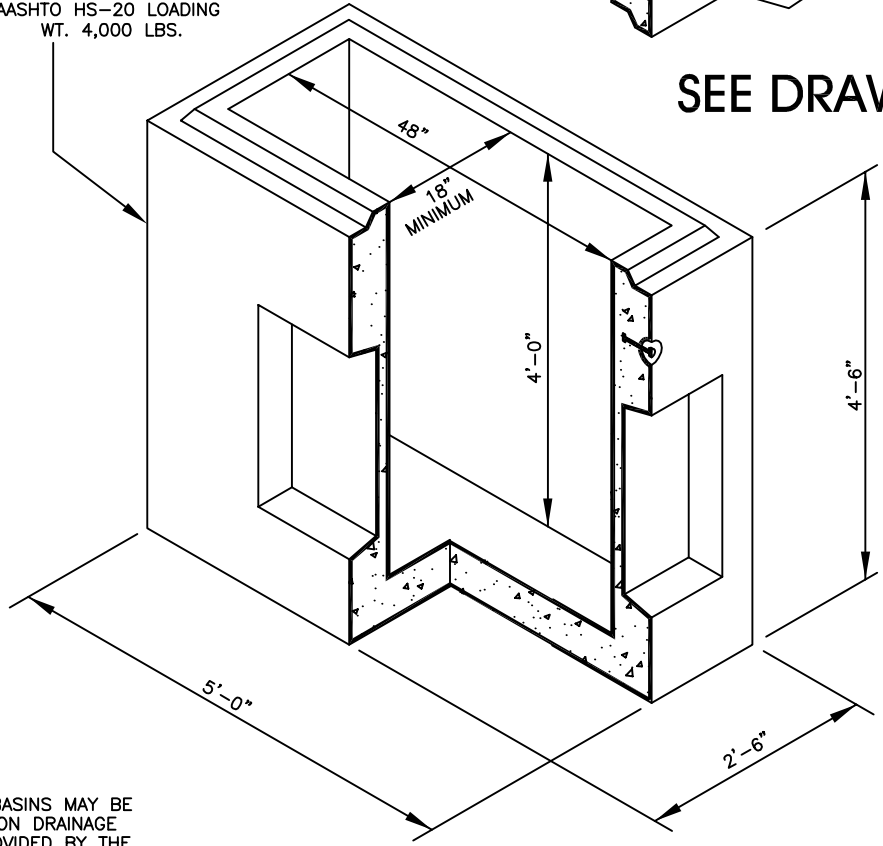


SEE DRAWING D-1A



NOTE:
 MULTIPLE CATCH BASINS MAY BE
 REQUIRED BASED ON DRAINAGE
 CALCULATIONS PROVIDED BY THE
 DEVELOPER'S ENGINEER