

TOP OF COVER MUST BE FLUSH WITH TOP OF ASPHALT

RING & COVER LABELED "SEWER" WITHOUT VENT HOLES PROVIDE HEIGHT-ADJUSTABLE RINGS

MULTIPLE GRADE RINGS MAY NOT EXCEED 12" IN HEIGHT

PRE-CAST CONCRETE ECCENTRIC CONE

STEP HOLES

STEP HOLES

PRE-CAST CONCRETE RISER AS REQUIRED

5" AT 48" DIAM
6" AT 60" DIAM

STEP HOLES

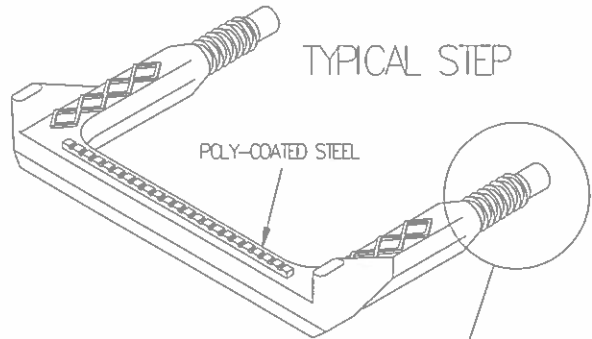
PLASTIC LIFTING INSERT

PRE-CAST CONCRETE BASE WITH SINGLE INVERT

MANHOLE SECTIONS MUST MEET ASTM C478

THE TOPS OF MANHOLE LIDS SHALL BE FLUSH WITH THE TOP OF ASPHALT (OR FINISH GRADE) IN ALL DIRECTIONS. CONCRETE OR STEEL SHIMS MUST BE USED ON STEEP GRADES & ALL VIDS FILLED WITH NON-SHRINK GROUT.

TYPICAL STEP

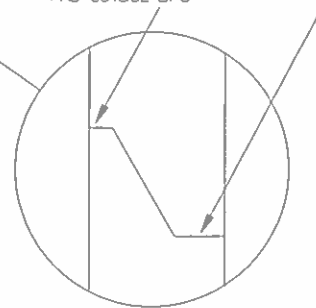


POLY-COATED STEEL

EMBEDDED SECTION

5-3/4"

INSTALL MASTIC ON THE WIDER OUTSIDE LIP OF THE JOINT. IF GROUND WATER IS PRESENT OR ANTICIPATED THEN INSTALL MASTIC ON BOTH INSIDE AND OUTSIDE LIPS



TYPICAL JOINT

SINGLE INVERT MANHOLES MAY BE 48" IN DIAMETER OR GREATER. MULTIPLE INVERT & DROP MANHOLES MUST BE 60" IN DIAMETER OR GREATER.

HYDE PARK CITY

113 EAST CENTER
HYDE PARK, UTAH 84318
TEL. (435) 563-6507



**SEWER
MANHOLE**

SS-03

DATE: 02-10-21