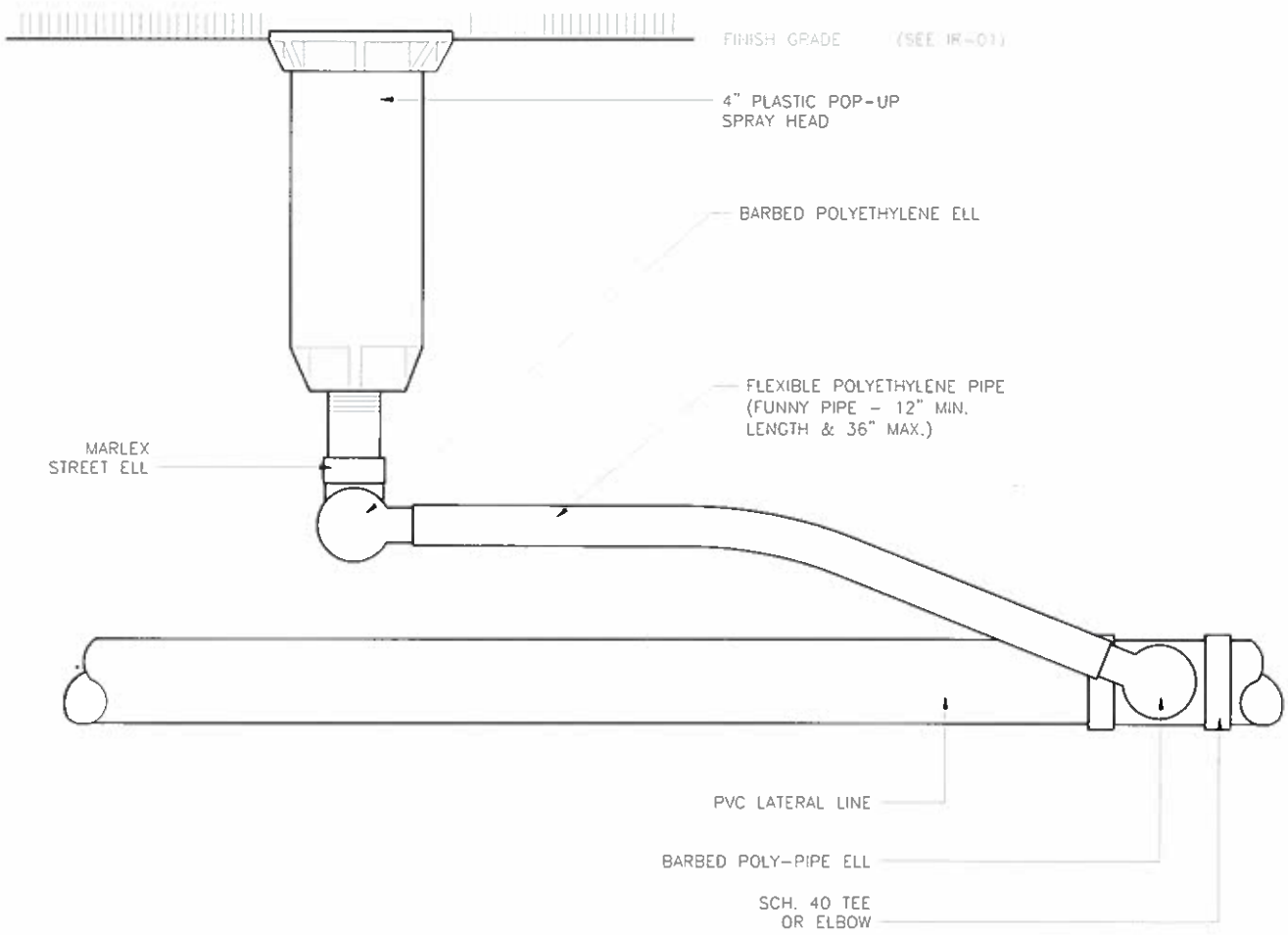


NOTES:

1. TOP OF HEAD SHALL BE ADJUSTED TO MATCH FINISH GRADE
2. MINIMUM SIZE SUPPLY PIPE AND FITTINGS (EXCEPT FLEXIBLE POLYETHYLENE PIPE AND BARBED FITTINGS) TO ALL SPRAYS IS $\frac{3}{4}$ "
3. MINIMUM SIZE OF FLEXIBLE POLYETHYLENE PIPE AND BARBED FITTINGS TO ALL SPRAYS IS $\frac{1}{2}$ "



SPRAY POP-UP DETAIL

HYDE PARK CITY

113 EAST CENTER
HYDE PARK, UTAH 84318
TEL: (435) 563-6507



**SPRAY POP-UP
DETAIL**

IR-12

DATE: 02-10-21