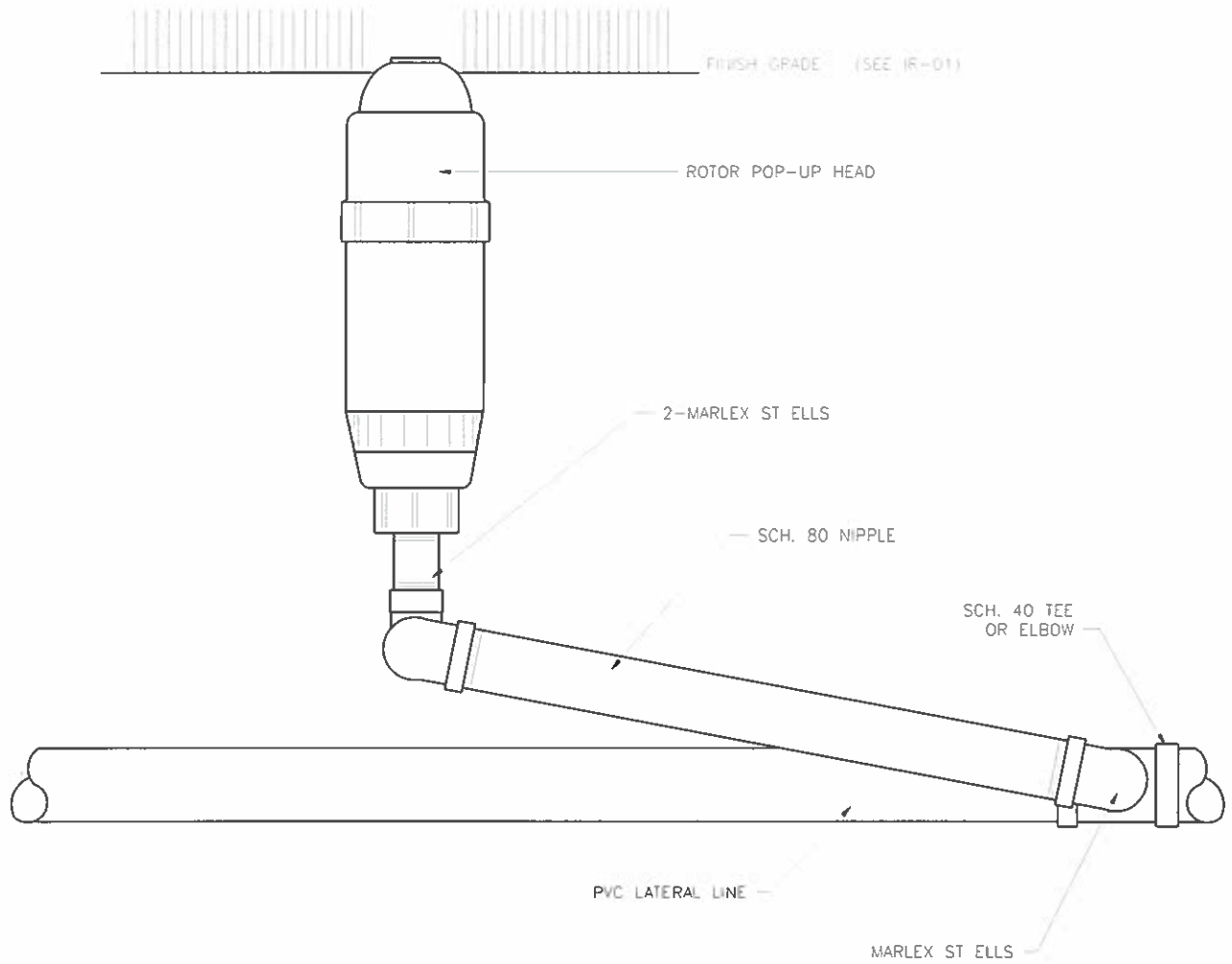


NOTES:

1. TOP OF HEAD SHALL BE ADJUSTED TO MATCH FINISH GRADE.
2. MINIMUM SIZE OF SUPPLY PIPE AND FITTINGS TO ALL ROTORS IS 3/4"



ROTOR POP-UP DETAIL

HYDE PARK CITY

113 EAST CENTER
HYDE PARK, UTAH 84318
TEL: (435) 563-8507



**ROTOR POP-UP
DETAIL**

IR-11

DATE: 02-10-21