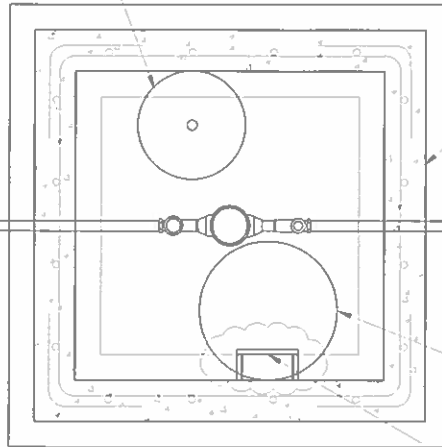


15" DUCTILE IRON LID WITH
2" DIA. KNOCK OUT

B
CW11

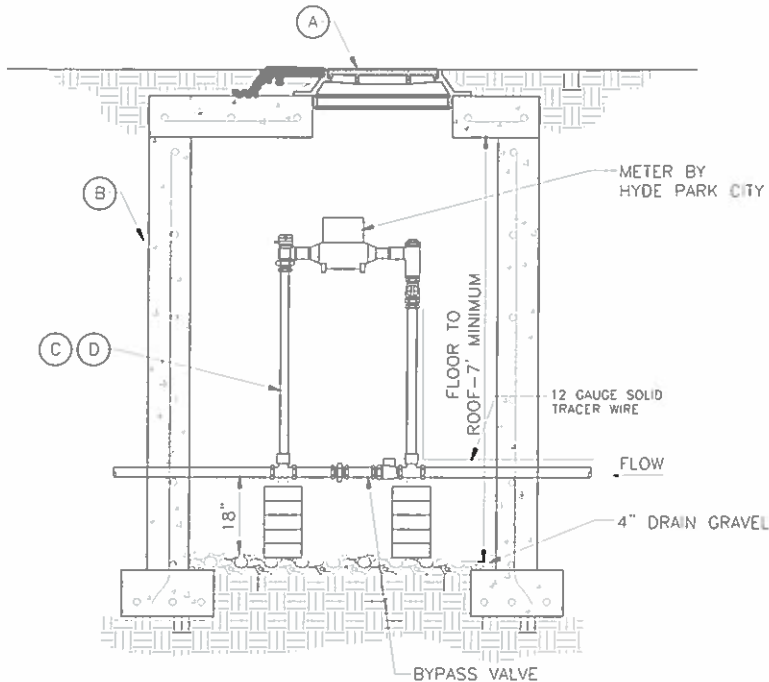


CONCRETE BOX PER
PLAN 505

27" FRAME AND LID
PLAN No. 502
(LID TO SAY "WATER METER")

MANHOLE STEPS
12" O.C.

A
PLAN-METER
CW11



B

C D

METER BY
HYDE PARK CITY

FLOOR TO
ROOF - 7" MINIMUM

12 GAUGE SOLID
TRACER WIRE

FLOW

4" DRAIN GRAVEL

BYPASS VALVE

B
SECTION
CW11

LEGEND		
No.	ITEM	DESCRIPTION
(A)	27" FRAME AND COVER	PLAN No. 502
(B)	CONCRETE BOX	PLAN No. 505
(C)	AY MCDONALD TELESCOPING WETHER SETTER CUSTOM SETTER WITH BYPASS	
(D)	AY MCDONALD TELESCOPING WETHER SETTER CUSTOM SETTER WITH BYPASS	

NOTE: THE VAULT ROOF SHALL BE DESIGNED FOR EACH LOCATION BY THE APPLICANTS ENGINEER.

HYDE PARK CITY

113 EAST CENTER
HYDE PARK, UTAH 84318
TEL (435) 563-6507



1 1/2" AND 2"
METER

CW-11

DATE: 02-09-21