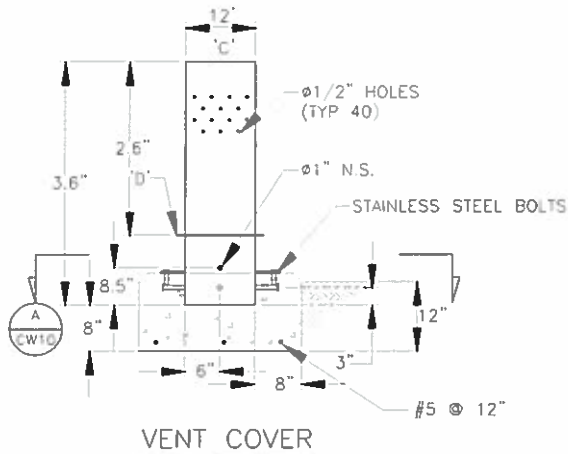


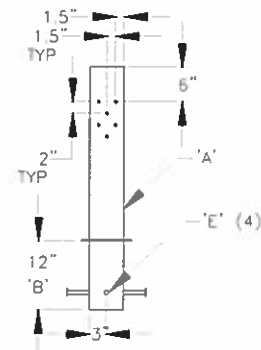
**A** SECTION— VENT COVER  
CW10

| PARTS LIST |     |                            |
|------------|-----|----------------------------|
| ITEM       | QTY | DESCRIPTION                |
| A          | 1   | TS 12" x 6" x 1/4" x 2'-6" |
| B          | 1   | TS 12" x 6" x 1/4" x 12"   |
| C          | 1   | 1/4" PL - 6" x 1'-0"       |
| D          | 2   | 1/4" PL - 9" x 1'-3"       |
| E          | 4   | Ø3/4" x 4" H.S.A.          |
| F          | 10  | Ø1/2" x 3" BREAKAWAY BOLTS |

1. OPEN TO AIR—PLACE A NO. 14 MESH NON-CORRODIBLE SCREEN OVER THE OPEN END OF P.V.C. PIPE. ATTACH W/S.S. HOSE CLAMP.
2. HOT DIPPED GALVANIZED STEEL STAND PIPE FOR AIR VENT.
3. 1/2" MIN. CHAMFER ALL AROUND CONCRETE BASE



**VENT COVER**



**SIDE VIEW**

ITEMS REMOVED FOR CLARITY

VENT COVER

NOTE:  
SIZE OF VENT COVER CAN VARY  
DEPENDING ON SIZE OF VENT.

**HYDE PARK CITY**

113 EAST CENTER  
HYDE PARK, UTAH 84318  
TEL. (435) 563-6507



**VENT COVER**

CW-09

DATE: 02-09-21