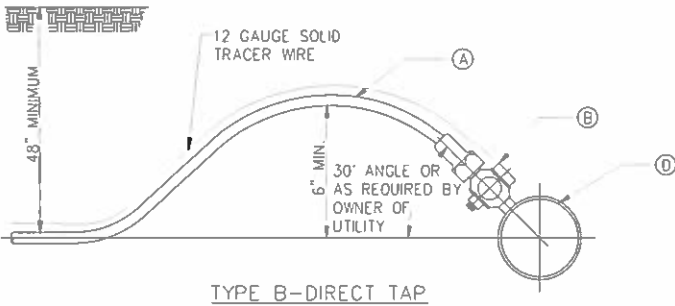
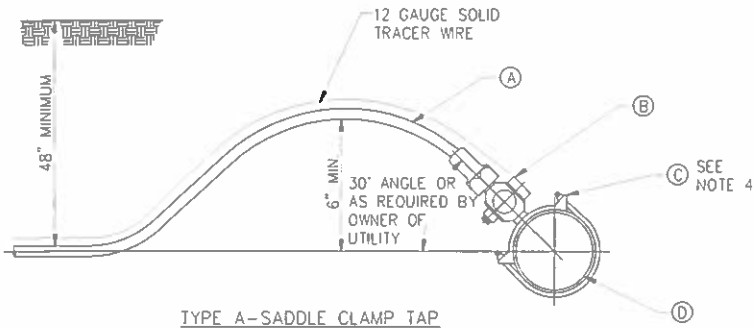


**3/4" AND 1" WATER METER  
WITH 1" WATER SERVICE**



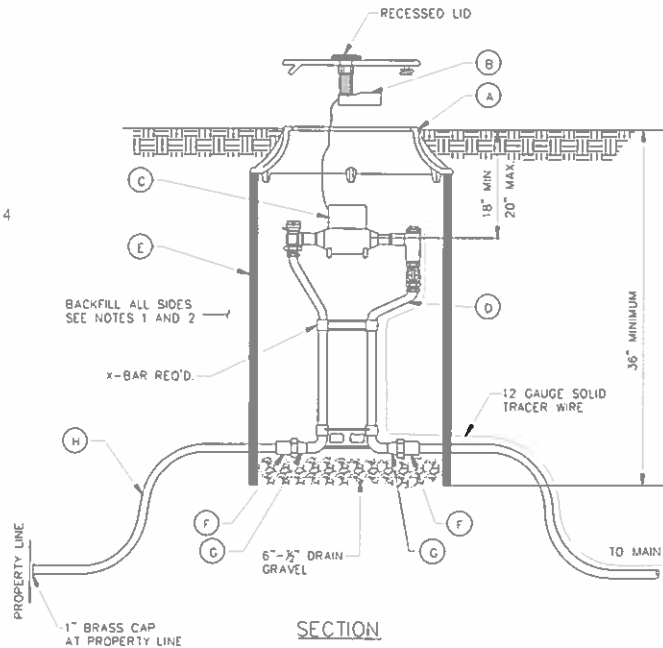
LEGEND		
No.	ITEM	DESCRIPTION
(A)	1" POLY PIPE	IPS POLY PIPE
(B)	1" CORPORATION STOP	FORD-FB 1001-4-O OR AY MCDONALD 4764
(C)	SERVICE SADDLE CLAMP	FORD-FB 11001-4-O OR JCM INDUSTRIES 406
(D)	WATER MAIN PIPE	(D.I., P.V.C.) *

\* DI PIPE MAY BE DIRECT TAPPED  
\* IF DIRECT TAP USE CC THREADS

(A) DETAIL - 1" MINIMUM SERVICE TAPS  
D-1 SCALE: NTS (TYP)

**NOTES FOR  
1" MINIMUM SERVICE TAPS**

- INSPECTION: PRIOR TO BACKFILLING AROUND THE METER BOX, SECURE INSPECTION OF INSTALLATION BY CITY.
- BACKFILL: INSTALL AND COMPACT ALL BACKFILL MATERIAL PER APWA SECTION 02320.
- TAPPING: PLACE TAPS A MINIMUM 24 INCHES APART. USE A TAPPING TOOL WHICH IS SIZED CORRESPONDING TO THE SIZE OF THE SERVICE LINE TO BE INSTALLED. NO TAPS WITHIN 24 INCHES OF THE END OF PIPE.
- PVC PIPE: A SERVICE SADDLE CLAMP IS REQUIRED ON ALL PVC PIPE UNLESS SPECIFIED OTHERWISE.
- TAPE: TEFLON TAPE IS REQUIRED ON ALL TAPS.
- 4" CLEARANCE FROM FENCES, BOULDERS, PERMANENT STRUCTURES, ETC.
- 24" FROM SIDEWALK AND DRIVEWAY & DRIVEWAY FLARE.



LEGEND		
No.	ITEM	DESCRIPTION
(A)	FRAME AND COVER	21" CAST IRON (grass) 21" DUCTILE IRON (traffic) THE WORDS "WATER METER" CAST INTO COVER. 4" DIA. RECESSED HOLE REQ'D IN COVER.
(B)	RADIO UNIT	PROVIDED BY HYDE PARK CITY
(C)	WATER METER	PROVIDED BY HYDE PARK CITY
(D)	WATER METER YOKE	COPPER METER YOKE FORD V0HC72-95581-01 OR MUELLER MUB2411B-6A13
(E)	METER BARREL	21" WHITE HDPE OR CORRUGATED PVC BARREL
(F)	CONNECTION	UNIVERSAL NUT
(G)	BUSHING	1" MALE x 1/2" FEMALE BUSHING
(H)	1" POLY PIPE	IPS POLY PIPE

(B) DETAIL - 3/4" METER  
D-1 SCALE: NTS (TYP)

**NOTES FOR  
3/4" METER WITH 1" SERVICE LINE**

- INSPECTION: PRIOR TO BACKFILLING AROUND THE METER BOX, SECURE INSPECTION OF INSTALLATION BY ENGINEER.
- BACKFILLING: INSTALL ALL BACKFILL MATERIAL PER APWA SECTION 02320 IN LIFTS NOT EXCEEDING 6 INCHES. AFTER COMPACTION COMPACT EACH LIFT TO A MINIMUM RELATIVE DENSITY OF 95 PERCENT.
- METER IN TRAFFIC AREAS: PROVIDE SAME TYPE OF METER BOX AS REQUIRED FOR 1 1/2" AND 2" SERVICE METERS.
- METER: HYDE PARK CITY WILL PROVIDE AND INSTALL METER.
- PIPE: INSTALL IPS POLY PIPE TO PROPERTY LINE. COORDINATE WITH UTILITY AGENCY FOR TYPE OF PIPE TO BE USED OUTSIDE OF RIGHT-OF-WAY.
- PLACEMENT:
  - DO NOT INSTALL METERS BOX UNDER DRIVEWAY APPROACHES, SIDEWALKS, OR CURB AND GUTTER.
  - IN NEW CONSTRUCTION, INSTALL METER NEAR CENTER OF LOT IN PARKSTRIP.
  - 4" CLEARANCE FROM FENCES, BOULDERS, PERMANENT STRUCTURES, ETC.
  - 24" FROM SIDEWALK AND DRIVEWAY & DRIVEWAY FLARE.