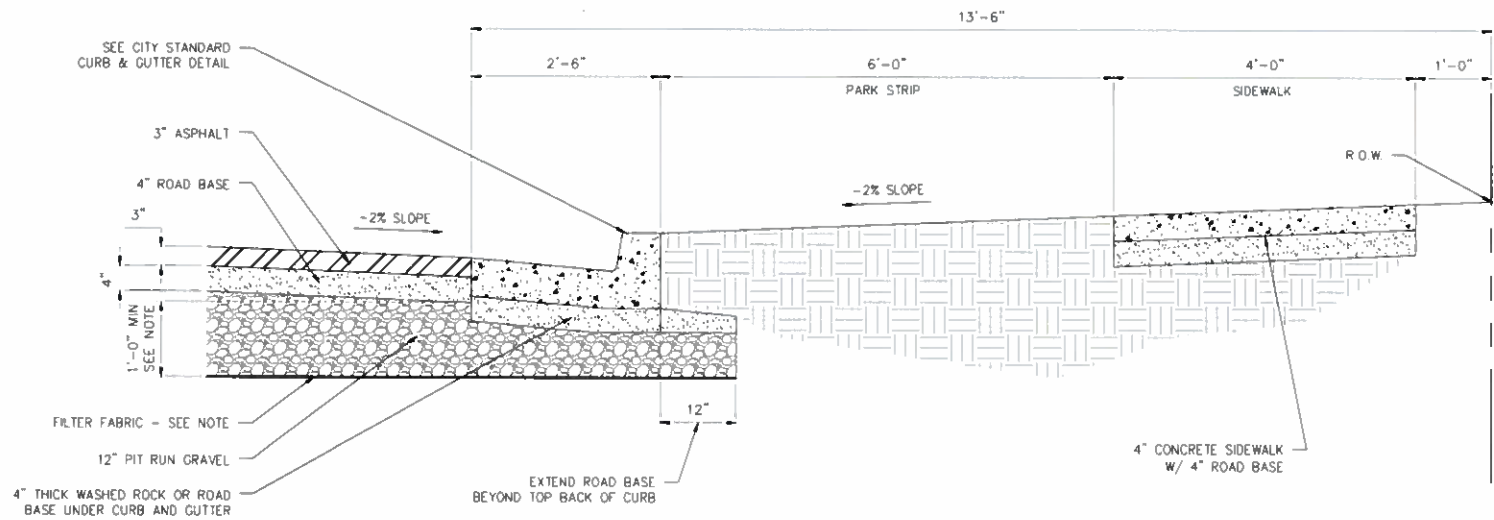


LOCAL - 66' RIGHT-OF-WAY



LOCAL - 66' RIGHT-OF-WAY  
PAVING MATERIALS

NOTE:  
ALL ROADS WEST OF 200 WEST SHALL HAVE 15" PIT RUN GRAVEL AND FILTER FIBER ABOVE NATIVE SOIL